



Harsh & Hazardous

**KILLARK®**

# MC, MCX & TCX Series

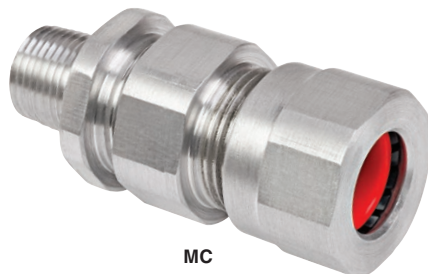
## ARMORED & UNARMORED CABLE GLANDS

*Innovated Reliable Connectivity*





## ALUMINUM CABLE CONNECTORS



Class II, Div. 1 & 2, Groups E, F, G  
 Class III  
 Class I, Zone 2†, Group IIC, Zone 20  
 Suitable for wet locations  
 Types 3, 4X IP66  
 MC5 thru MC0: IPX8 6ft 1hr  
 Suitable for use in hazardous location applications when installed according to NEC Articles 501.10



# CLENCHER®

### FEATURES-SPECIFICATIONS

#### Applications

Designed for use with jacketed interlocked, continuously corrugated and welded armor cable (all types shown in chart below). Install where it is essential to provide positive grounding to the cable and for a Type 3,4 connection.

#### Features

- 360° armor grounding spring is reusable.
- Robust threads and world class seal enables easy installation with minimal torque required.
- Design meets and exceeds third party requirements for cable retention.
- Provides sealing back nut plus inner O-ring seal to prevent moisture ingress to the cable armor and enclosure.
- Copper free aluminum construction for hostile, corrosive and certain hazardous locations

#### Materials

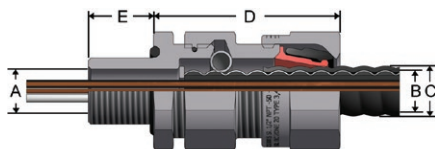
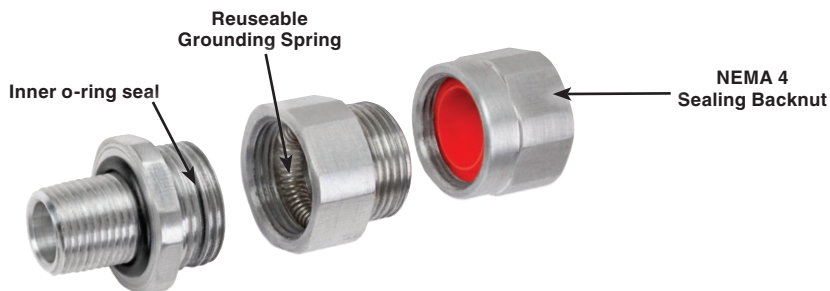
- Body – Copper free aluminum (less than 4/10 of 1%)
- Ground Spring – Stainless Steel
- Backnut Seal – Thermoplastic elastomer (silicone)

- Backnut Clamp – Nylon
- Inner and Outer O-rings – Nitrile

#### Operating Temperature Range

- -50°C to +60°C

#### Construction Details



SUITABLE ARMORED/METAL CLAD CABLE TYPES	
AC-	AC90, ACWU90, AC90-HL, ACWU90-HL, ACG90, ACGWU90
MC-	MCC, MCI, MCI-A, MC-HL
RA-	RA90, RA90-HL
TECK-	TECK90, TECK90-HL

CATALOG NUMBER	ENTRY THREAD SIZE (NPT)	CABLE ACCEPTANCE DETAILS						MAX LENGTH 'D'	NPT LENGTH 'E'	HEXAGON DIMENSIONS	
		MAX NUMBER OF CORES	THROUGH DIAMETER 'A'	ARMOR DIAMETER 'B'		DIAMETER 'C'				ACROSS FLATS	ACROSS CORNERS
				MIN.	MAX.	MIN.	MAX.				
MC1B	1/2"	6	.47" (11.9)	0.43" (10.9)	0.55" (14.0)	0.51" (13.0)	0.63" (16.0)	1.7" (43)	0.83" (21.1)	1.06" (26.9)	1.12" (28.4)
MC1C	1/2"	10	0.56" (14.2)	0.52" (13.2)	0.74" (18.8)	0.60" (15.2)	0.82" (20.8)	2.3" (58)	0.83" (21.1)	1.42" (36)	1.50" (38.1)
MC2	3/4"	21	0.80" (20.3)	0.65" (16.5)	0.95" (24.1)	0.73" (18.5)	1.03" (26.2)	2.5" (64)	0.84" (21.3)	1.61" (41)	1.69" (42.9)
MC3	1"	42	1.04" (26.4)	0.89" (22.6)	1.23" (31.2)	0.97" (24.6)	1.31" (33.3)	2.6" (66)	1.03" (26.2)	1.97" (50)	2.13" (54.1)
MC4	1 1/4"	73	1.28" (32.5)	1.15" (29.2)	1.48" (37.6)	1.23" (31.2)	1.56" (39.6)	3.1" (79)	1.05" (26.7)	2.36" (60)	2.50" (63.5)
MC5	1 1/2"	80	1.66" (42.2)	1.39" (35.3)	1.62" (41.1)	1.47" (37.3)	1.78" (45.2)	4.5" (114.3)	1.07" (27.2)	2.95" (74.9)	3.06" (77.7)
MC6	2"	80	1.98" (50.3)	1.39" (35.3)	1.89" (48)	1.47" (37.3)	2.04" (51.8)	4.5" (114.3)	1.10" (27.9)	2.95" (74.9)	3.06" (77.7)
MC7	2 1/2"	100	2.46" (62.5)	1.85" (47)	2.36" (60)	1.93" (49)	2.51" (63.8)	4.7" (119.4)	1.62" (41.1)	3.54" (89.1)	3.65" (92.7)
MC8	3"	120	2.93" (74.4)	2.19" (55.6)	2.81" (71.4)	2.27" (57.7)	3.01" (76.5)	4.8" (121.9)	1.68" (42.7)	4.06" (103.1)	4.22" (107.2)
MC9	3 1/2"	120	3.40" (86.4)	2.69" (68.3)	3.28" (83.3)	2.77" (70.4)	3.46" (87.9)	4.8" (121.9)	1.73" (43.9)	4.53" (115.1)	4.69" (119.1)
MC0	4"	120	3.92" (99.6)	3.28" (83.3)	3.82" (97)	3.46" (87.9)	4.07" (103.4)	5.1" (129.5)	1.78" (45.2)	5.12" (130)	5.33" (135.4)

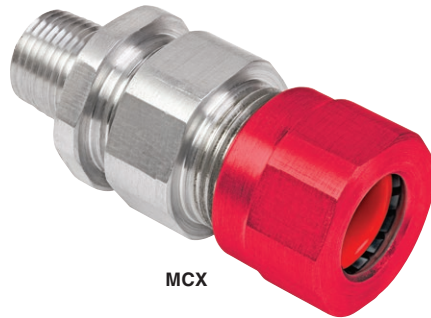
Cable armor diameter and cable jacket diameter refer to the dimensions across the crest.

† Where explosion proof/flameproof enclosures are being used the MC must be installed in conjunction with an approved sealing fitting. In Division 2 areas the MC can be fitted directly to an enclosure which has no source of ignition.



# FITTINGS

## ALUMINUM CABLE CONNECTORS



MCX

Class I, Div. 1 & 2, Groups A, B, C, D  
 Class II, Div. 1 & 2, Groups E, F, G  
 Class III  
 Class I, Zones 1 & 2, Group IIC, Zone 20  
 Types 3, 4X IP66  
 MCX5-MCX0: IPX8 6ft/1hr.



**CLENCHER®**

**FEATURES-SPECIFICATIONS**

**Applications**

Designed for use with jacketed interlocked, continuously corrugated and welded armor cable (all types shown in chart below). Install where it is essential to provide positive grounding to the cable with a complete gas block/explosion proof seal. Also for a Type 3, 4X connection.

**Features**

- 360° armor grounding spring is reusable.
- Robust threads and world class seal enables easy installation with minimal torque required.
- Provides a barrier seal between the individual insulated cores within the cable and prevents entry of the products of an explosion into the cable.
- Assembly of the cable gland compresses and distributes the compound evenly to create a barrier seal at the point of entry into the enclosure.

- Provides cable retention and a low smoke and fume, zero halogen seal onto the cables outer sheath.
- Provides sealing back nut plus inner O-ring seal to prevent moisture ingress to the cable armor and enclosure
- Copper free aluminum construction for harsh, corrosive and hazardous duty
- Back nut is RED to indicate HAZARDOUS area product

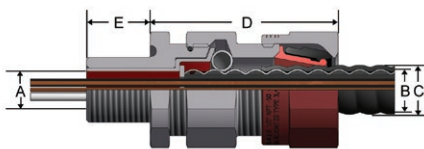
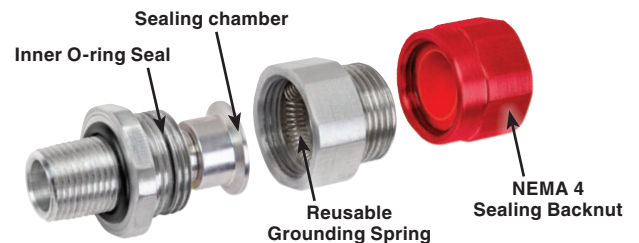
**Materials**

- Body – Copper free aluminum (less than 4/10 of 1%)
- Ground Spring – Stainless Steel
- Backnut Seal – Thermoplastic elastomer (silicone)
- Backnut Clamp – Nylon
- Inner and Outer O-rings – Nitrile

**Operating Temperature Range**

- -50°C to +60°C

**Construction Details**



SUITABLE ARMORED/METAL CLAD CABLE TYPES	
AC-	AC90, ACWU90, AC90-HL, ACWU90-HL, ACG90, ACGWU90
MC-	MCC, MCI, MCI-A, MC-HL
RA-	RA90, RA90-HL
TECK-	TECK90, TECK90-HL

CATALOG NUMBER	ENTRY THREAD SIZE (NPT)	MAX NUMBER OF CORES	CABLE ACCEPTANCE DETAILS						MAX LENGTH 'D'	NPT LENGTH 'E'	HEXAGON DIMENSIONS	
			THROUGH DIAMETER 'A'	ARMOR DIAMETER 'B'		DIAMETER 'C'		ACROSS FLATS			ACROSS CORNERS	
				MIN.	MAX.	MIN.	MAX.					
MCX1B	1/2"	6	0.39" (9.9)	0.43" (10.9)	0.55" (14.0)	0.51" (13.0)	0.63" (16.0)	2.1" (53.3)	0.83" (21.1)	1.06" (26.9)	1.12" (28.4)	
MCX1C	1/2"	10	0.48" (12.2)	0.52" (13.2)	0.74" (18.8)	0.60" (15.2)	0.82" (20.8)	2.4" (61)	0.83" (21.1)	1.42" (36)	1.50" (38.1)	
MCX2	3/4"	21	0.71" (18.1)	0.65" (16.5)	0.95" (24.1)	0.73" (18.5)	1.03" (26.2)	2.6" (66)	0.84" (21.3)	1.61" (41)	1.69" (42.9)	
MCX3	1"	42	0.96" (26.4)	0.89" (22.6)	1.23" (31.2)	0.97" (24.6)	1.31" (33.3)	2.7" (69)	1.03" (26.2)	1.97" (50)	2.13" (54.1)	
MCX4	1 1/4"	73	1.16" (29.5)	1.15" (29.5)	1.48" (37.6)	1.23" (31.2)	1.56" (39.6)	3.2" (81)	1.05" (26.7)	2.36" (60)	2.50" (63.5)	
MCX5	1 1/2"	80	1.35" (34.3)	1.39" (35.3)	1.62" (41.1)	1.47" (37.3)	1.78" (45.2)	4.5" (114.3)	1.07" (27.2)	2.95" (75)	3.06" (77.8)	
MCX6	2"	80	1.62" (41.1)	1.39" (35.3)	1.89" (48.0)	1.47" (37.3)	2.04" (51.8)	4.5" (114.3)	1.10" (27.9)	2.95" (75)	3.06" (77.8)	
MCX7	2 1/2"	100	2.09" (53.1)	1.85" (47.0)	2.36" (59.9)	1.93" (49.0)	2.51" (63.8)	4.7" (119.4)	1.62" (41.1)	3.54" (90)	3.65" (92.8)	
MCX8	3"	120	2.52" (64.0)	2.19" (55.6)	2.81" (71.4)	2.27" (57.7)	3.01" (76.5)	4.8" (121.9)	1.68" (42.7)	4.06" (103)	4.22" (107.2)	
MCX9	3 1/2"	120	3.01" (76.5)	2.69" (68.3)	3.28" (83.3)	2.77" (70.4)	3.46" (87.9)	4.8" (121.9)	1.73" (43.9)	4.53" (115)	4.69" (119.2)	
MCX0	4"	120	3.50" (88.9)	3.28" (83.3)	3.82" (97.0)	3.46" (87.9)	4.07" (103.4)	5.1" (129.5)	1.78" (45.2)	5.12" (130)	5.33" (135.3)	

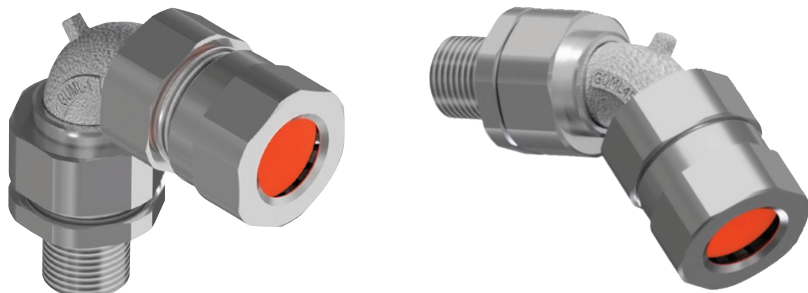
Cable armor diameter and cable jacket diameter refer to the dimensions across the crest.



MC 45°/90° SERIES

# KILLARK

## ALUMINUM CABLE CONNECTORS



Class II, Div. 1, Groups E, F, G  
 Class III,  
 Zone 20, IP66,  
 Types 3, 4X  
 Suitable for use in hazardous location  
 application when installed according to  
 NEC Articles 501.10



### FEATURES-SPECIFICATIONS

#### Applications:

Designed for use with jacketed interlock, continuously corrugated and welded armor cable. Rated for indoor and outdoor use and allows for a 45 and 90 degree bend where space is limited.

#### Features:

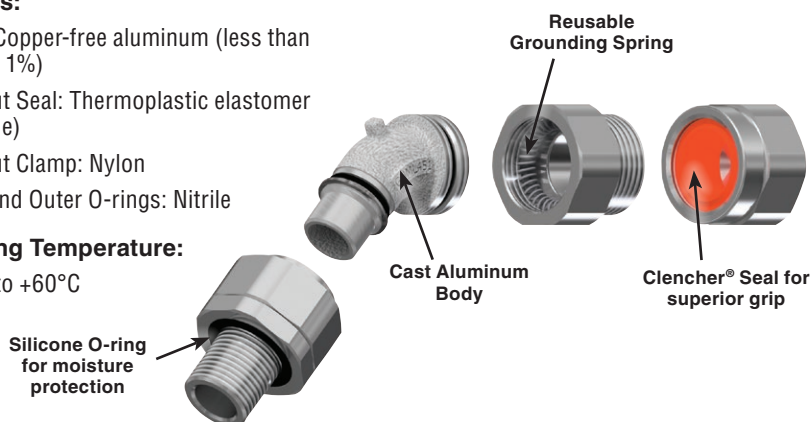
- 360° armor grounding spring is reusable
- Provides sealing backnut plus inner O-ring seal to prevent moisture ingress to the cable armor and enclosure
- Copper-free aluminum construction for harsh, corrosive and hazardous duty
- Patent pending combination union elbow that allows proper 360° alignment where space is limited
- Compact 45° & 90° bends for optimized wiring configurations
- Armor is terminated prior to bend allowing for minimal bending radius

#### Materials:

- Body: Copper-free aluminum (less than 4/10 of 1%)
- Backnut Seal: Thermoplastic elastomer (silicone)
- Backnut Clamp: Nylon
- Inner and Outer O-rings: Nitrile

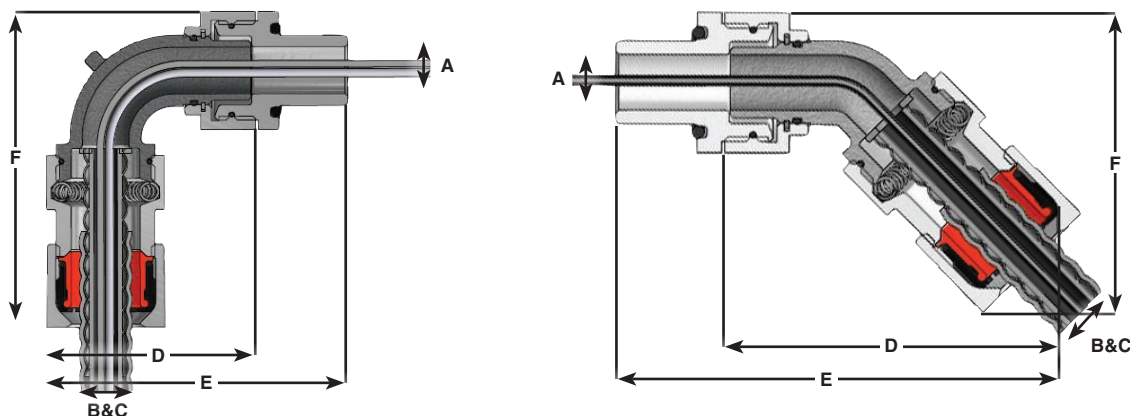
#### Operating Temperature:

- -50°C to +60°C



SUITABLE ARMORED/METAL CLAD CABLE TYPES	
AC-	AC90, ACWU90, AC90-HL, ACWU90-HL, ACG90, ACGWU90
MC-	MCC, MCI, MCI-A, MC-HL
RA-	RA90, RA90-HL
TECK-	TECK90, TECK90-HL

CATALOG NUMBER	ENTRY THREAD SIZE (NPT)	BEND	CABLE ACCEPTANCE DETAILS								
			MAX NUMBER OF CORES	THROUGH DIAMETER 'A'	ARMOR DIAMETER 'B'		DIAMETER 'C'		MAX LENGTH 'D'	MAX LENGTH 'E'	MAX LENGTH 'F'
					MIN.	MAX.	MIN.	MAX.			
MC14C	1/2"	45°	10	.48" (12.2)	.52" (13.2)	.74" (18.8)	.60" (15.2)	.82" (20.8)	3.25" (82.6)	4.35" (110.5)	2.05" (52)
MC24C	3/4"	45°	21	.71" (18)	.65" (16.5)	.95" (24.1)	.73" (18.5)	1.03" (26.2)	3.43" (87.1)	4.55" (115.6)	2.19" (55.6)
MC19C	1/2"	90°	10	.48" (12.2)	.52" (13.2)	.74" (18.8)	.60" (15.2)	.82" (20.8)	2.51" (63.8)	3.62" (91.9)	3.51" (89.2)
MC29	3/4"	90°	21	.71" (18)	.65" (16.5)	.95" (24.1)	.73" (18.5)	1.03" (26.2)	2.61" (66.3)	3.73" (94.7)	3.60" (91.4)

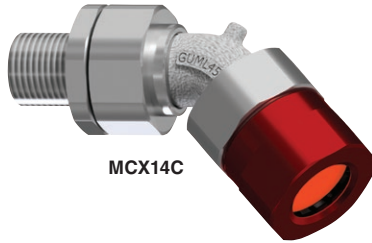


# FITTINGS

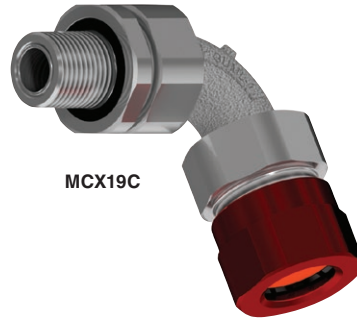
## MCX 45°/90° SERIES



### ALUMINUM CABLE CONNECTORS



MCX14C



MCX19C

Class I, Div. 1, Groups A, B, C, D  
 Class II, Div. 1, Groups E, F, G  
 Class III,  
 CL. I Zone 1 GR. IIC. Zone 20  
 Types 3, 4X



#### FEATURES-SPECIFICATIONS

##### Applications:

Designed for use with jacketed interlock, continuously corrugated and welded armor cable where it is essential to prevent explosive vapors from passing through electrical devices. This series provides a 45 and 90 degree bend for the most compact space. It is rated for indoor and outdoor use.

##### Features:

- 360° armor grounding spring is reusable
- Provides a barrier seal between the individual insulated cores within the cable
- Assembly of the cable gland compresses and distributes the compound evenly to create a barrier seal at the point of entry into the enclosure.
- Provides a cable retention and low smoke fume, zero halogen seal onto the cables outer sheath
- Copper-free aluminum construction for harsh, corrosive and hazardous areas

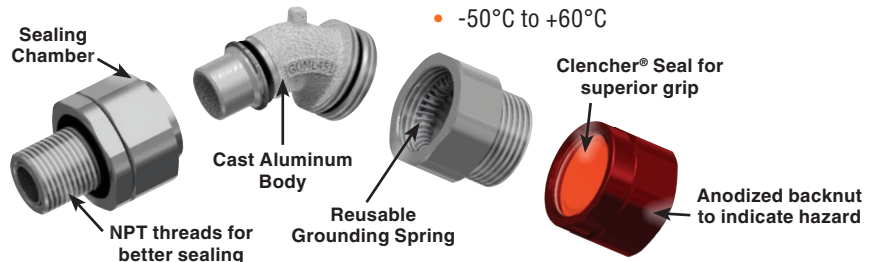
- Patent pending combination union elbow that allows proper 360° alignment where space is limited
- Compact 45° & 90° bends for optimized wiring configurations
- Armor is terminated prior to bend allowing for minimal bending radius
- Backnut is anodized RED to indicate HAZARDOUS area product

##### Materials:

- Body: Copper-free aluminum (less than 4/10 of 1%)
- Backnut Seal: Thermoplastic elastomer (silicone)
- Backnut Clamp: Nylon
- Inner and Outer O-rings: Nitrile

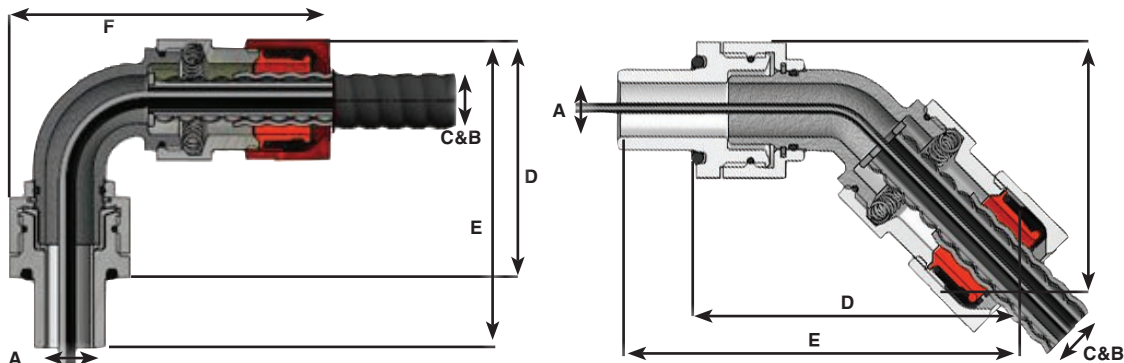
##### Operating Temperature:

- -50°C to +60°C



SUITABLE ARMORED/METAL CLAD CABLE TYPES	
AC-	AC90, ACWU90, AC90-HL, ACWU90-HL, ACG90, ACGWU90
MC-	MCC, MCI, MCI-A, MC-HL
RA-	RA90, RA90-HL
TECK-	TECK90, TECK90-HL

CATALOG #	ENTRY THREAD SIZE (NPT)	BEND	CABLE ACCEPTANCE DETAILS						MAX LENGTH 'D'	MAX LENGTH 'E'	MAX LENGTH 'F'
			MAX NUMBER OF CORES	THROUGH DIAMETER 'A'	ARMOR DIAMETER 'B'		DIAMETER 'C'				
					MIN.	MAX.	MIN.	MAX.			
MCX14C	1/2"	45°	10	.48" (12.2)	.52" (13.2)	.74" (18.8)	.60" (15.2)	.82" (20.8)	3.25" (82.6)	4.35" (110.5)	2.05" (52)
MCX24	3/4"	45°	21	.71" (18)	.65" (16.5)	.95" (24.1)	.73" (18.5)	1.03" (26.2)	3.43" (87.1)	4.55" (115.6)	2.19" (55.6)
MCX19C	1/2"	90°	10	.48" (12.2)	.52" (13.2)	.74" (18.8)	.60" (15.2)	.82" (20.8)	2.51" (63.8)	3.62" (91.9)	3.51" (89.2)
MCX29	3/4"	90°	21	.71" (18)	.65" (16.5)	.95" (24.1)	.73" (18.5)	1.03" (26.2)	2.61" (66.3)	3.73" (94.7)	3.60" (91.4)

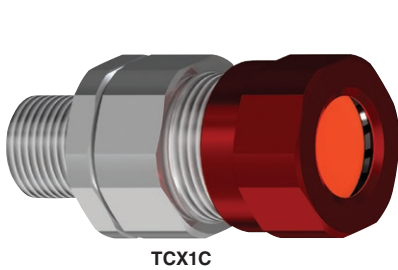




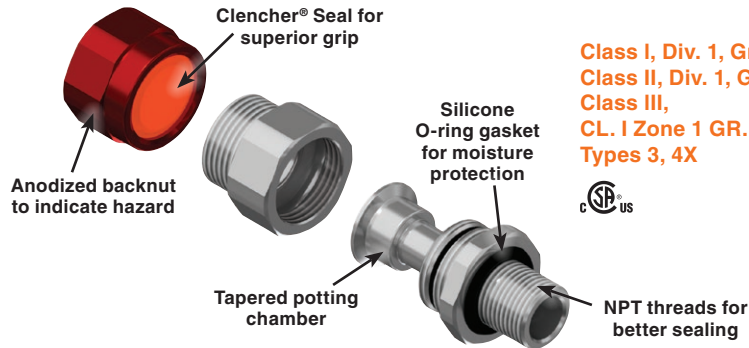
TCX SERIES

# KILLARK

## ALUMINUM UNARMORED CABLE CONNECTORS



TCX1C



Class I, Div. 1, Groups A, B, C, D  
Class II, Div. 1, Groups E, F, G  
Class III,  
CL. I Zone 1 GR. IIC. Zone 20  
Types 3, 4X



### FEATURES-SPECIFICATIONS

#### Applications:

Designed for use with non-armored cable where it is essential to prevent explosive vapors from passing through electrical devices. It is rated for indoor and outdoor use and integrally sealed with straight, 45° and 90° cable glands for use with non-armored cable permitted by the NEC. These series glands are for use with certified cables: TC-ER-HL

Note: these glands are also for use with TC, TC-ER, PLTC-ER, ITC, ITC-ER, MV and Marine Shipboard Cable

#### Features:

- Provides a barrier seal between the individual insulated conductors within the cable and prevents entry of the products of an explosion into the cable
- Assembly of the cable gland compresses and distributes the compound evenly to create a barrier seal at the point of entry into the enclosure.
- Provides a cable retention and low smoke and fume, zero halogen seal onto the cables outer sheath
- Copper-free aluminum construction for harsh, corrosive and hazardous duty
- Patent pending combination union elbow that allows proper 360° alignment where space is limited
- Compact sizing and 45° & 90° Bends for optimized wiring configurations
- Backnut is anodized RED to indicate HAZARDOUS area product

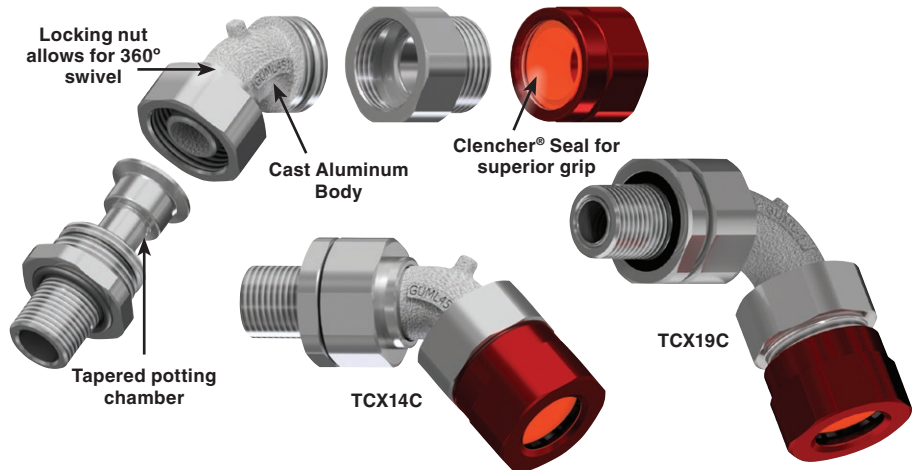
#### Materials:

- Body: Copper-free aluminum (less than 4/10 of 1%)
- Backnut Seal: Thermoplastic elastomer (silicone)
- Backnut Clamp: Nylon
- Inner and Outer O-rings: Nitrile

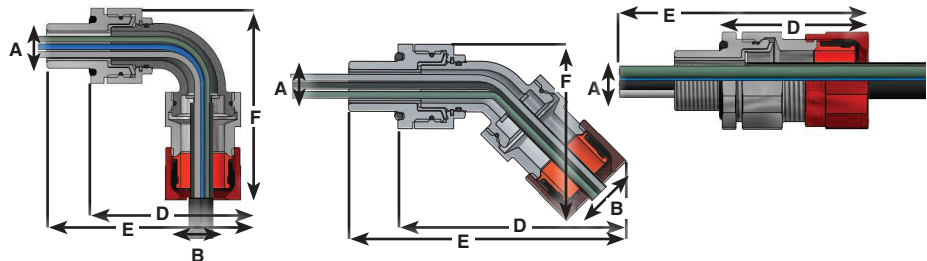
#### Operating Temperature:

- -50°C to +60°C

CATALOG NUMBER	ENTRY THREAD SIZE (NPT)	CABLE ACCEPTANCE DETAILS					MAX LENGTH 'D'	MAX LENGTH 'E'
		MAX NUMBER OF CORES	INNER SHEATH/CORES		OUTER JACKET "B"			
			"A" MAX. OVER CORES	MAX. INNER SHEATH	MIN.	MAX.		
TCX1B	½"	6	.48" (12.2)	.62" (15.7)	.41" (10.4)	.62" (15.7)	2.1" (53.3)	2.9" (73.7)
TCX1C	½"	10	.48" (12.2)	.82" (20.8)	.56" (14.2)	.82" (20.8)	2.4" (61)	3.2" (81.3)
TCX2	¾"	21	.71" (18)	1.03" (26.2)	.77" (19.6)	1.03" (26.2)	2.6" (66)	3.4" (86.4)
TCX3	1"	42	.96" (24.4)	1.31" (33.3)	.81" (20.6)	1.31" (33.3)	2.7" (69.6)	3.7" (94)
TCX4	1-¼"	73	1.16" (29.5)	1.65" (41.9)	1.05" (26.7)	1.65" (41.9)	3.2" (81.3)	4.3" (109.2)



CATALOG NUMBER	ENTRY THREAD SIZE (NPT)	BEND	CABLE ACCEPTANCE DETAILS					MAX LENGTH 'D'	MAX LENGTH 'E'	MAX LENGTH 'F'
			MAX NUMBER OF CORES	INNER SHEATH/CORES		OUTER JACKET "B"				
				"A" MAX. OVER CORES	MAX. INNER SHEATH	MIN.	MAX.			
TCX14C	½"	45°	10	.48" (12.2)	.82" (20.8)	.56" (14.2)	.82" (20.8)	3.25" (82.6)	4.35" (110.49)	2.05" (52)
TCX24	¾"	45°	21	.71" (18)	1.03" (26.2)	.77" (19.6)	1.03" (26.2)	3.43" (87.1)	4.55" (115.57)	2.19" (55.6)
TCX19C	½"	90°	10	.48" (12.2)	.82" (20.8)	.56" (14.2)	.82" (20.8)	2.51" (63.8)	3.62" (91.9)	3.51" (89.2)
TCX29	¾"	90°	21	.71" (18)	1.03" (26.2)	.77" (19.6)	1.03" (26.2)	2.61" (66.3)	3.73" (94.7)	3.60" (91.4)





## Z SERIES – ALUMINUM CORD CONNECTORS



ZS108

### Applications

Use to secure and seal cords or cables entering enclosures or race-ways.

Z Series connectors are also suitable for use in hazardous locations per National Electrical Code (Articles 501-4(b), 502-4(a&b), 503-3(a&b)). Consult these articles for sealing requirements that may apply.

### Materials/Finish

- Copper-free aluminum (less than 4/10 of 1%)
- Natural finish

### Features

- Aluminum construction resists corrosion
- Neoprene grommet seals out oil and moisture
- Nylon retention ring ensures superior holding power
- Wide range of sizes and configurations

## Z SERIES – STRAIGHT STEEL CORD CONNECTORS



ZS002ZP

### Applications

Z Series Steel Cord Connectors are used to secure and seal cords or cables entering enclosures or race-ways. Z Series connectors are also suitable for use in hazardous locations per National Electrical Code (Articles 501.10(B), 502.10(A)(B) and 505.15(C)). Consult these articles for sealing requirements that may apply.

### Materials/Finish

- Steel/malleable iron
- Zinc electro-plated
- Natural Finish

### Features

- Neoprene grommet seals out oil and moisture
- Nylon retention ring incorporates a split hinge design to prevent friction and provide strain relief, also color-coded for sizing identification
- These heavy-duty connectors hold up to most manufacturing chemicals including, acid solutions, solvents and other corrosive materials
- Machined steel nut and body allows for tightening the compression nut and NPT hub without worrying about stripping the threads
- Wide range of sizes and configurations

## Z SERIES – CORROSION RESISTANT NYLON CORD CONNECTORS



ZS210CR

ZN210CR

### Applications

Durable nylon construction makes these connectors perfectly suited to corrosive environments.

Typical applications for nylon cord connectors include food processing facilities, chemical and sewage treatment plants and off-shore and dockside installations.

### Features

- Nylon retention ring for increased holding power
- Neoprene bushing seals against moisture
- Nylon connectors obtain approximately the same cord retention values with hand tightening that can be produced only by wrench tightening of metal cord connectors

### Material

- Nylon

HKSB-KQS 12-17 © Killark, 2017

**KILLARK**<sup>®</sup>

**Hubbell Killark**  
3940 Dr. Martin Luther King Drive • St. Louis, MO 63113  
Phone: (314) 531-0460 • Fax: (314) 531-7164  
[www.hubbell-killark.com](http://www.hubbell-killark.com)



**Harsh & Hazardous**